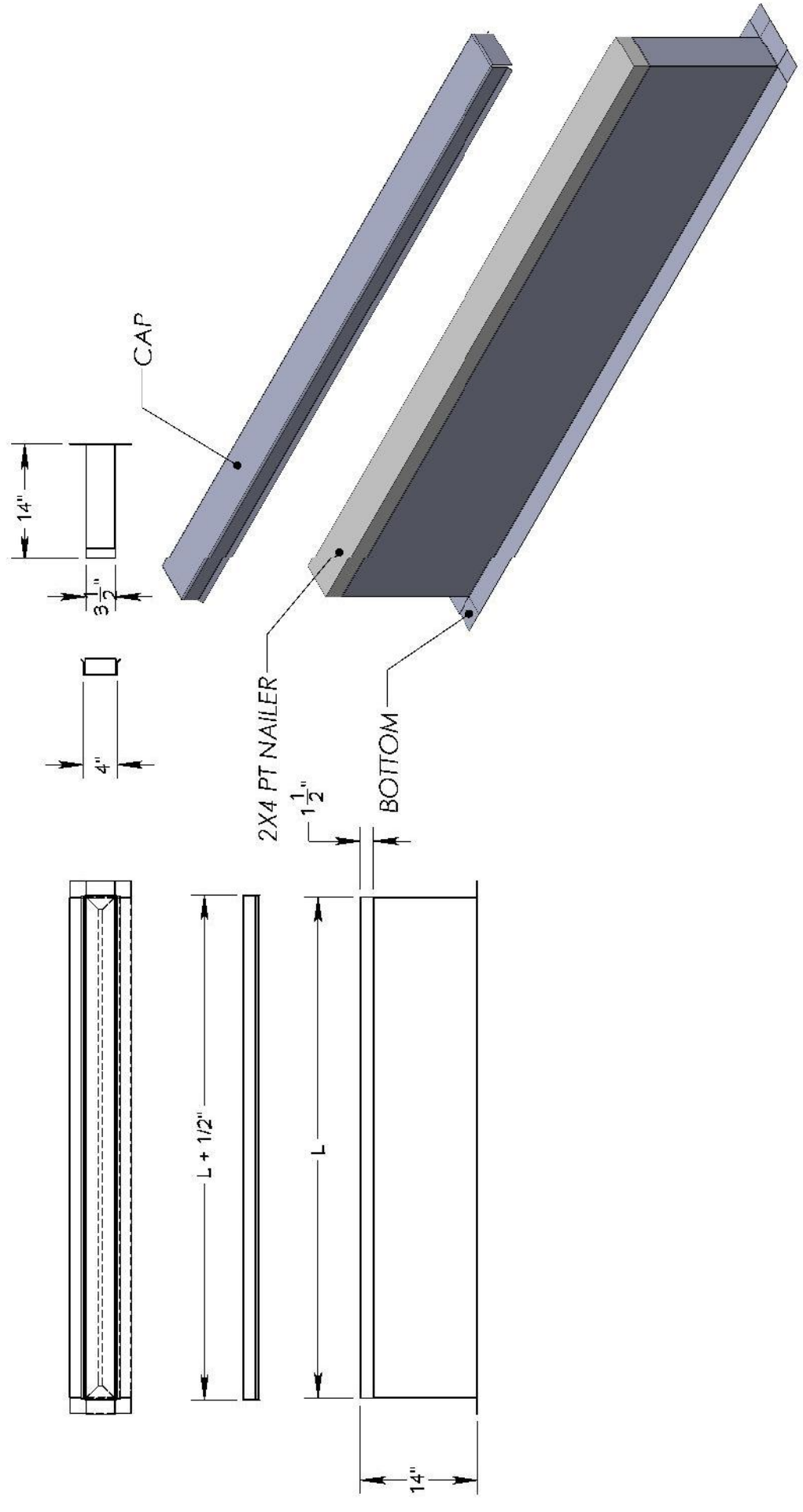


TITLE

EQUIPMENT SUPPORT

REVISIONS		
LTR.	DESCRIPTION	DATE



FEATURES:
 - 18 GA CONSTRUCTION
 - 2" X 4" WOOD NAILER
 - 18 GAUGE CAP

C APPROVED AS SHOWN
 L PROCEED WITH CORRECTIONS NOTED
 R REVISE AND RESUBMIT
 X REJECTED

LEAD TIME QUOTED BEGINS AFTER APPROVAL OF THIS DRAWING IS RECEIVED BY AES.

SIGNED: _____ DATE: _____

DESIGNED BY	JOE
DRAWN BY	4/22/2014
CHECKED BY	1 OF 2