


Request From: _____
 Company Name: _____
 Phone Number: _____
 Email: _____

Project Name: _____
 Ship to address: _____

 Ship to: Project Shop



Curb Inside Dimension

Curb Inside Dimensions are needed for both Internal Safety Screens and Burglar Bars. For accuracy please remove the existing skylight to measure the inside of the curb dimensions, and also ensure the existing curb is structurally sound.

Always use proper safety precautions when working on the roof.

INTERNAL SAFETY SCREEN mounts to top of curb - 4"x4" grid, 3/16" round rod

Quantity: _____

Existing Curb Inside Dimensions: _____ X _____

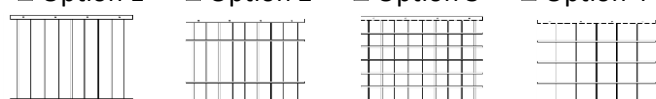

BURGLAR BAR mounts to top of curb - 1/2" Rod, select spacing option below

Quantity: _____


Existing Curb Inside Dimensions: _____ X _____

Bar Layout Options:

Option 1 Option 2 Option 3 Option 4

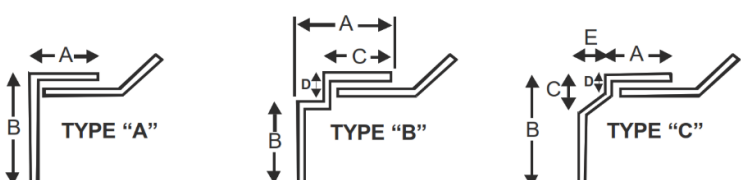



Approximate Dome Height



Measure skylight frame
DO NOT MEASURE THE CURB

Skylight Frame Type:



TYPE "A" TYPE "B" TYPE "C"

EXTERNAL SAFETY SCREEN mounts to skylight frame -4"x4" grid, 3/16" round rod

Quantity: _____

Skylight Frame Outside Dimensions: _____ X _____

Approximate Dome Height: _____

Skylight Frame Type (see drawing)

Type A – Dims: A ____ B ____

Type B – Dims: A ____ B ____ C ____ D ____

Type C – Dims: A ____ B ____ C ____ D ____ E ____

Metal Roof – Flush Mount – see Metal Roof RFQ worksheet

Skylight Brand which external screen is going over:

Unknown Sunoptics Kingspan Velux Wasco _____